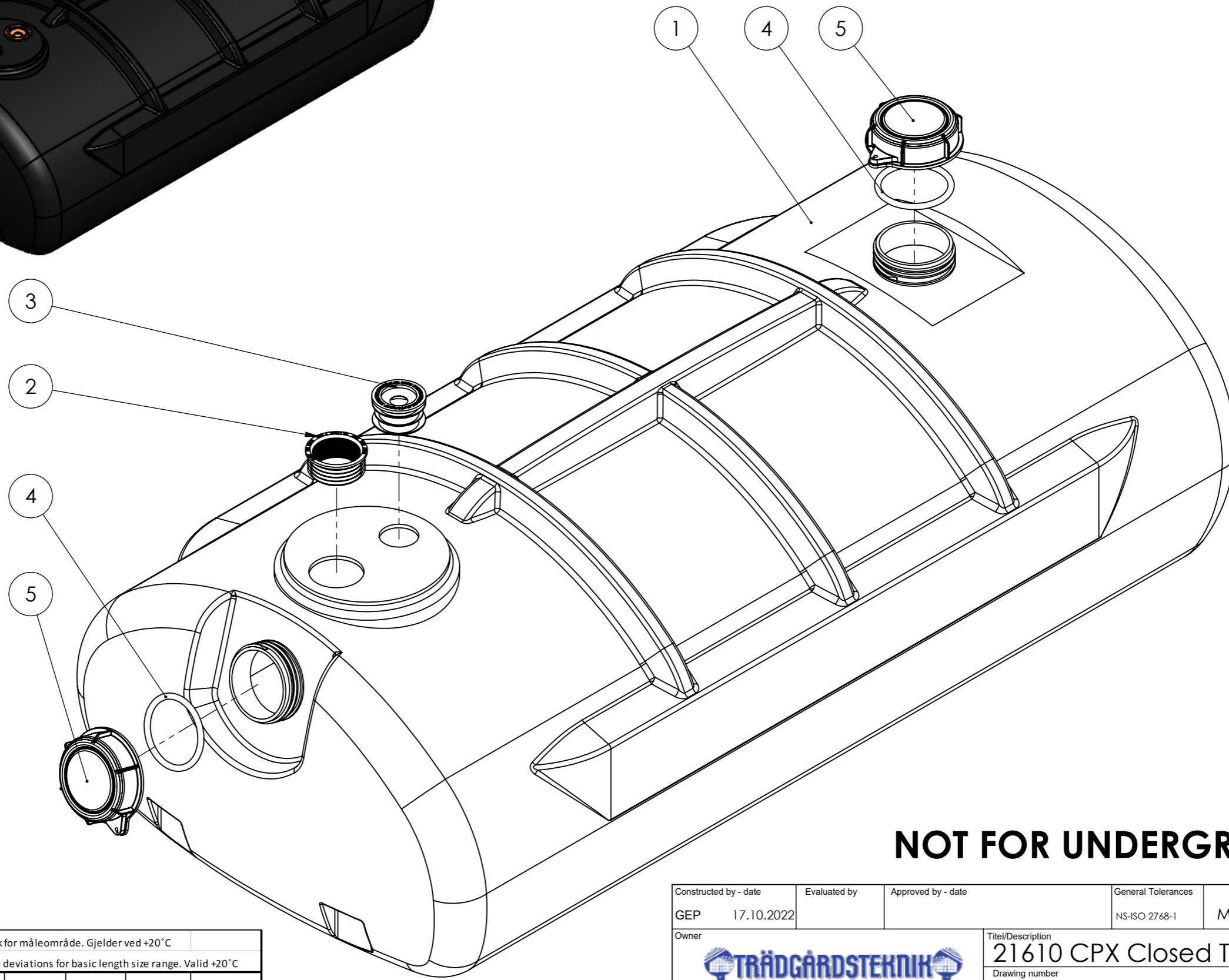




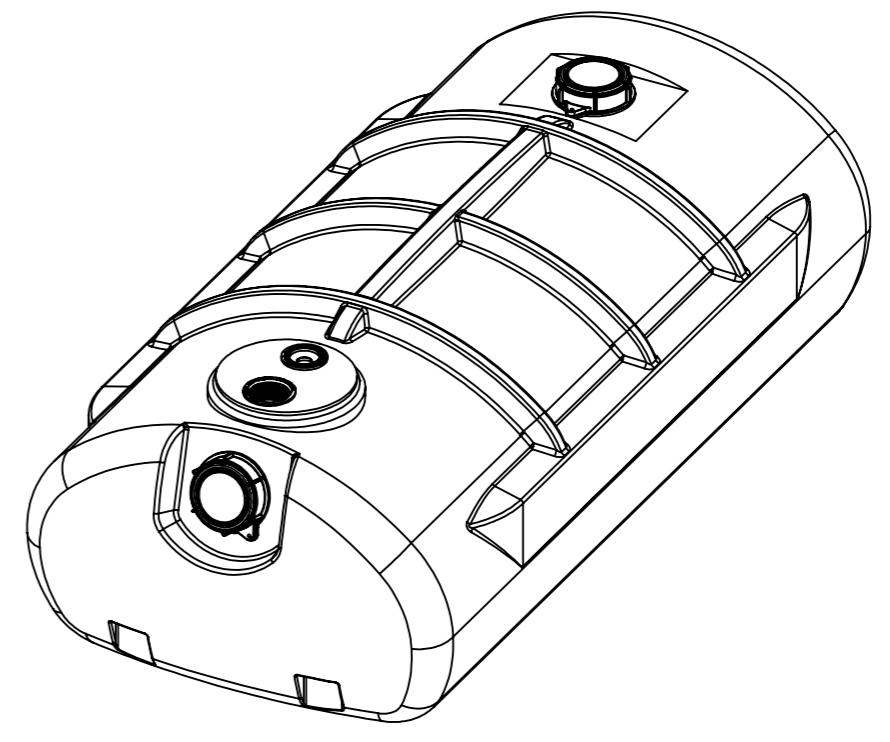
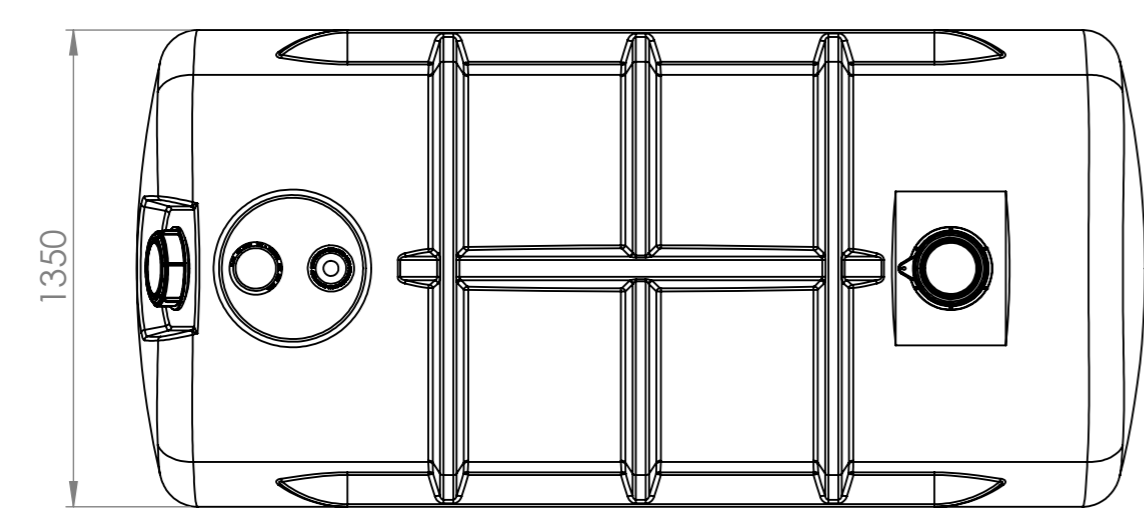
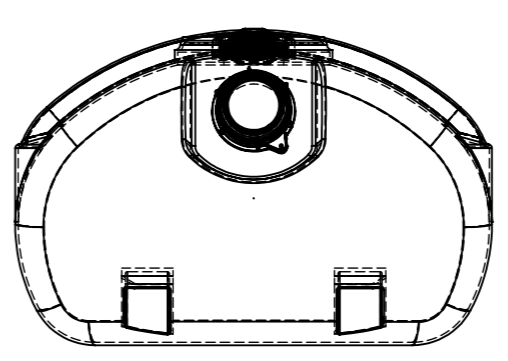
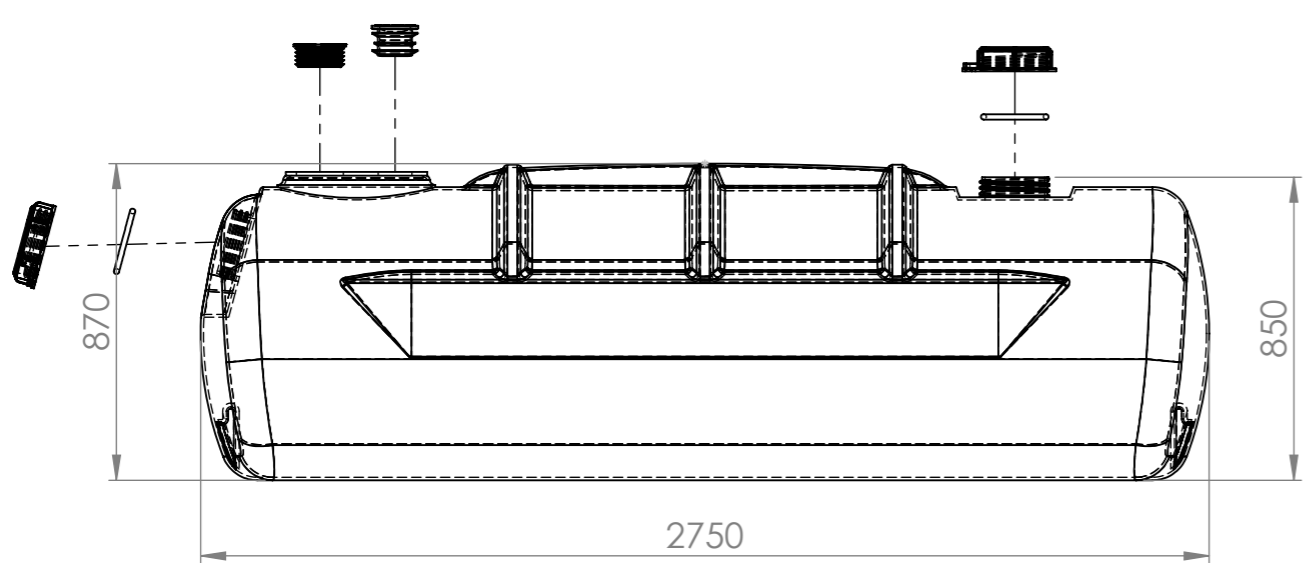
ITEM NO.	PART NUMBER	DESCRIPTION	QTY.
1	21610	CPX Closed Tank 2100L	1
2	8800079	Rubber nipple 123-126/110 mm	1
3	8800078	Rubber nipple 96-105/50-70	1
4	8800296	O-ring 165mm	2
5	8800189	Lid 185mm	2



NOT FOR UNDERGROUND USE!

Generelle toleranser om ikke annet er oppgitt på tegning	Tilatte avvik for måleområde. Gjelder ved +20°C				
General tolerances if not other stated on drawing	Permissible deviations for basic length size range. Valid +20°C				
	0-20	>20-75	>75-150	>150-300	>300
	±0,5mm	±1mm	±1,5mm	±1,3%	±1%

Constructed by - date	Evaluated by	Approved by - date	General Tolerances	Finish, Ra	View	Scale
GEP 17.10.2022			NS-ISO 2768-1	MDPE		1:10
Owner		Titel/Description		Revision	Sheet size	Sheet
		21610 CPX Closed Tank 2100L		B	A3	1(2)
Drawing number						
1384 - 313						



NOT FOR UNDERGROUND USE!

Generelle toleranser om ikke annet er oppgitt på tegning	Tilatte avvik for måleområde. Gjelder ved +20°C				
General tolerances if not other stated on drawing	Permissible deviations for basic length size range. Valid +20°C				
	0-20	>20-75	>75-150	>150-300	>300
	±0,5mm	±1mm	±1,5mm	±1,3%	±1%

Constructed by - date	Evaluated by	Approved by - date	General Tolerances	Finish, Ra	View	Scale
GEP 17.10.2022			NS-ISO 2768-1	MDPE		1:20
Owner			Titel/Description			
			21610 CPX Closed Tank 2100L			
			Drawing number	Revision	Sheet size	Sheet
			1384 - 313	B	A3	2(2)